

Appendix A

Name _____

The President

The President is the leader of our country.

He helps make our laws.

He lives and works in the White House.

Draw a picture of the President.

Our President's name is

Now, draw a picture of the home you live in and the school you work where you work.

Appendix B

Checklist For Appendix A

Student name _____

Did student include his/her name on paper? Y/N

Did student include a drawing of the President? Y/N

Did student use acceptable handwriting when writing the President's name? Y/N

Did student include a picture of his/her home and school? Y/N

Total _____/4

Teacher comments:

Appendix C

Name _____

George Washington
Our First President
Father of Our Country

If I were President

Appendix D

Anecdotal Notes

Thomas Jefferson

Classroom Declaration

Date Evaluated _____

Did all students participate in the class discussion? Y/N

Comments:

Were there any students who did not participate at all? Y/N

If so, what did you do to attempt to engage the student in the discussion?

Were there any students who did not understand the concept of a classroom declaration? Y/N

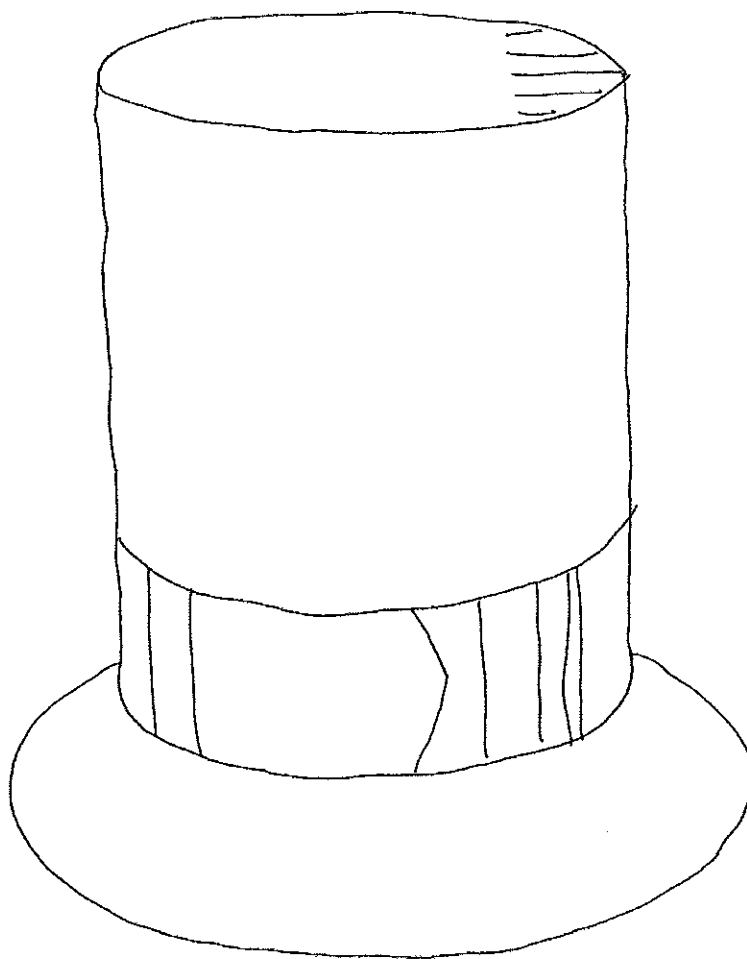
Comments:

Additional comments/concerns:

Appendix E

Name _____

Abe Lincoln's Hat



In my hat I would carry

to ...

Appendix F

**Rubric for
Abe Lincoln's Hat**

Student name _____

Date _____

3 points	2 points	1 point
Students wrote first name correctly with no mistakes.	Student wrote first name with one mistake.	Student wrote first name with more than one mistake.
Student drew and colored an item that he/she would carry in their hat.	Student drew an item that he/she would carry in their hat, but it was not colored.	Student did not draw an item.
Student completed his/her sentence with no mistakes.	Student completed his/her sentence with one mistake.	Student completed his/her sentence with more than one mistake.

Total Points: _____

Appendix G

Name _____

My New Bear



_____ 's Bear

Appendix H

Checklist for My New Bear

Student Name _____

Did the student draw an item(s) with the bear that shows something that he/she enjoys?

Y/N

Did the student accurately name the new bear at the bottom of the page?

Y/N

Did the student do his/her best work?

Y/N

Comments:

Lincoln or Washington Picture Cards



Lincoln or Washington Picture Cards



Unit Test

1. What is on Mount Rushmore?

Basketball players White House Four Presidents

2. General Washington led the colonies in the fight for freedom from what country?

Great Britain France Spain

3. Which President is called the Father of Our Country?

Abraham Lincoln George Washington Columbus

4. Who wrote our country's Declaration of Independence?

Theodore Roosevelt Abe Lincoln Thomas Jefferson

5. What was Thomas Jefferson's house called?

White House Log Cabin Monticello

Appendix J, page 2

6. Which President grew up in a log cabin as a child?

Thomas Jefferson Theodore Roosevelt Abe Lincoln

7. Which President had a teddy bear made because of him?

George Washington Theodore Roosevelt Thomas Jefferson

8. Which President is known as an honest man?

Abe Lincoln George Washington Thomas Jefferson

9. What is the name of the house where the President lives?

Gold House White House Green House

10. How many Presidents have we had?

Three Twelve More than 40

Unit Test Key

1. What is on Mount Rushmore?

Basketball players White House

Four Presidents

2. General Washington led the colonies in the fight for freedom from what country?

Great Britain

France

Spain

3. Which President is called the Father of Our Country?

Abraham Lincoln

George Washington

Columbus

4. Who wrote our country's Declaration of Independence?

Theodore Roosevelt

Abe Lincoln

Thomas Jefferson

5. What was Thomas Jefferson's house called?

White House

Log Cabin

Monticello

Appendix K, page 2

6. Which President grew up in a log cabin as a child?

Thomas Jefferson Theodore Roosevelt Abe Lincoln

7. Which President had a teddy bear made because of him?

George Washington Theodore Roosevelt Thomas Jefferson

8. Which President is known as an honest man?

Abe Lincoln George Washington Thomas Jefferson

9. What is the name of the house where the President lives?

Gold House White House Green House

10. How many Presidents have we had?

Three Twelve More than 40